

Stock POP Display

Floor Display: One-Tier

Advantages of Stock POP Displays:

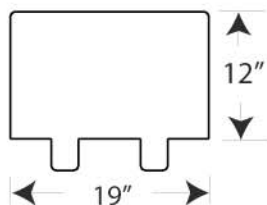
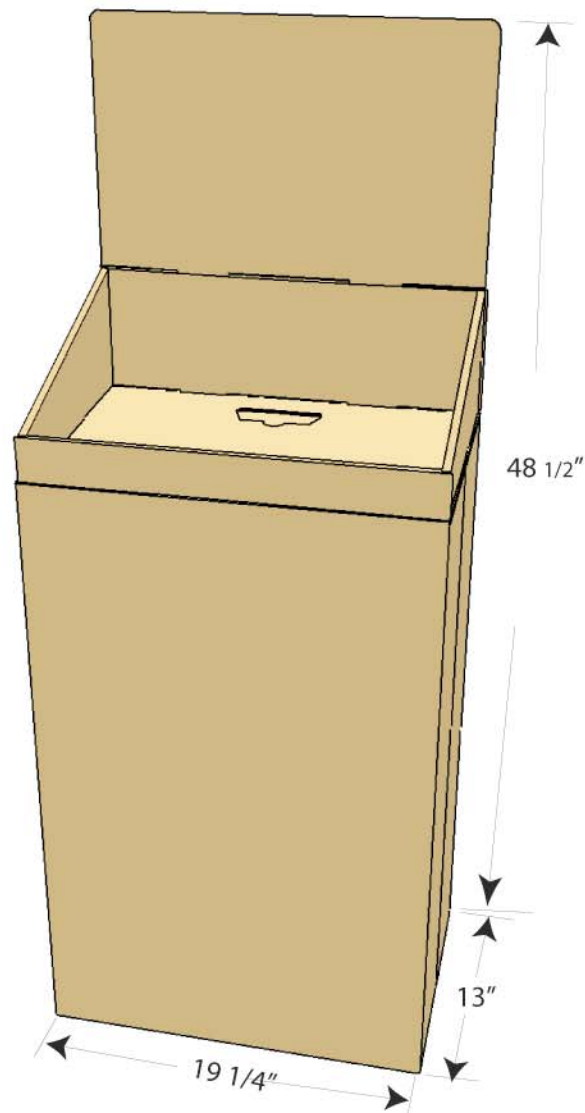
- Economical alternative to custom displays, especially for smaller orders
- No Minimum quantity on floor display
- Lightweight, easy to assemble
- Can easily be customized by printing & lamination

BASE
Board: C Flute
TRAY
Board: C Flute
HEADER
Board: C Flute

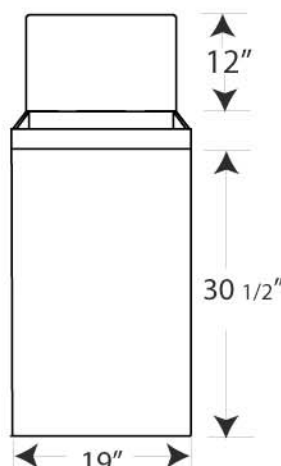
Print Options:

Ask about various print options available to fit any budget and brand requirements.

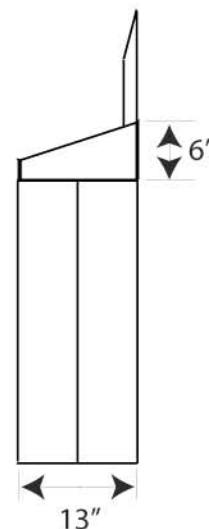
- Digital Print
- Flood coat options
- 1 and 2 colour flexo graphic print
- Screen printing
- Spot Label application
- High end Litholaminate sheets



HEADER



FRONT VIEW



SIDE VIEW

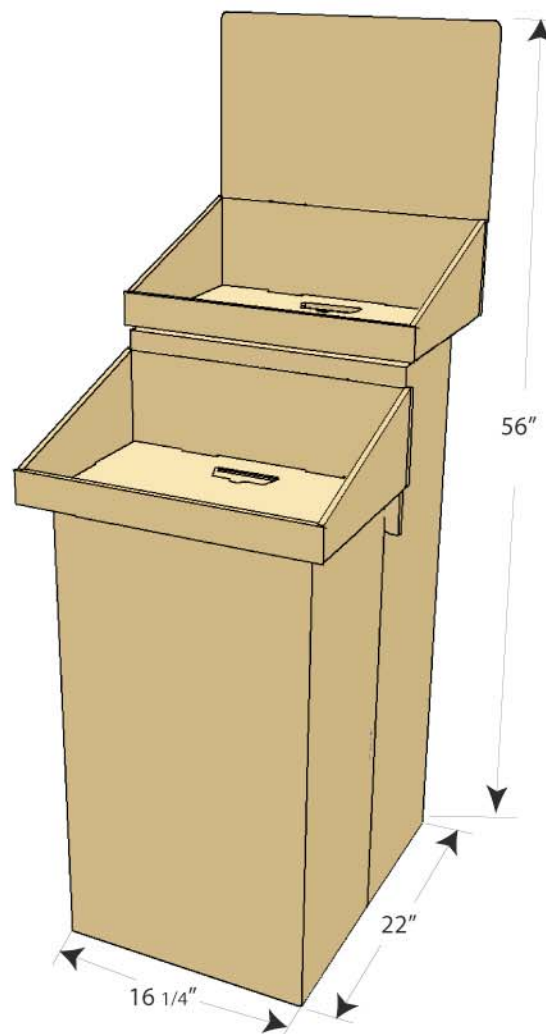
Stock POP Display

Floor Display: Two-Tier

Advantages of Stock POP Displays:

- Economical alternative to custom displays, especially for smaller orders
- No Minimum quantity on floor display
- Lightweight, easy to assemble
- Can easily be customized by printing & lamination

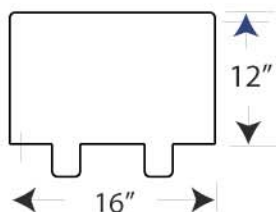
BASE
Board: C Flute
TRAY
Board: C Flute
HEADER
Board: C Flute



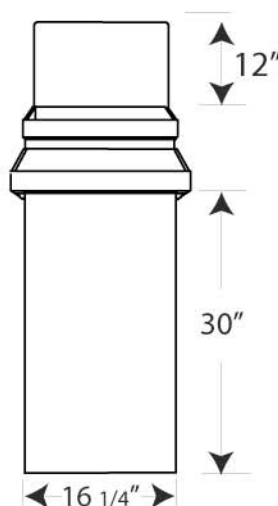
Print Options:

Ask about various print options available to fit any budget and brand requirements.

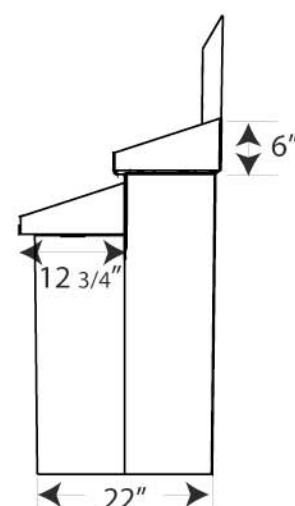
- Digital Print
- Flood coat options
- 1 and 2 colour flexo graphic print
- Screen printing
- Spot Label application
- High end Litho laminate sheets



HEADER



FRONT VIEW



SIDE VIEW

Stock POP Display

Floor Display: Three-Tier

Advantages of Stock POP Displays:

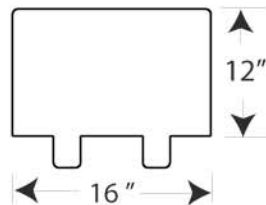
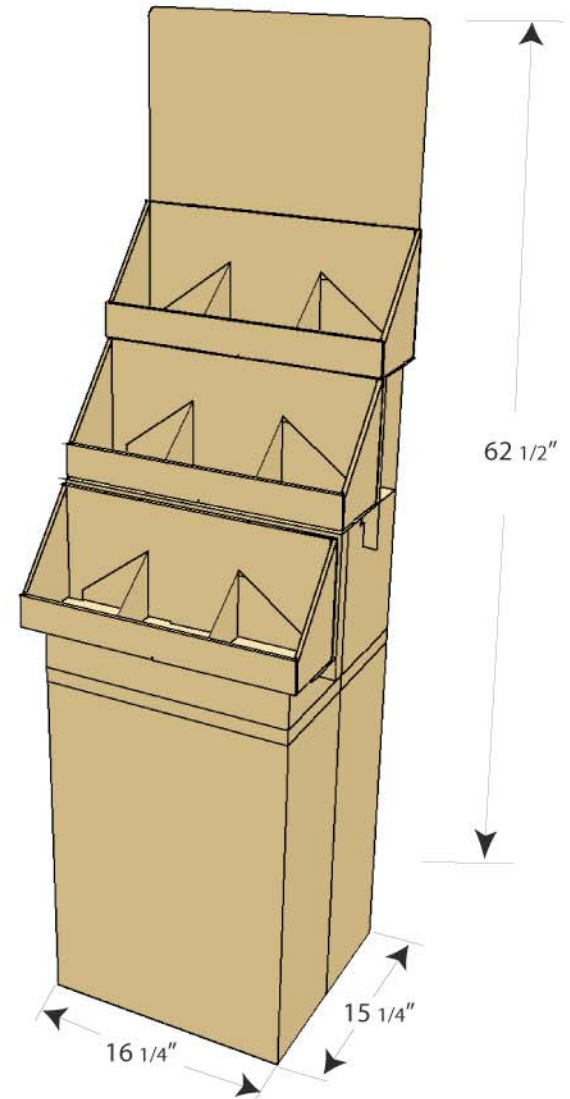
- Economical alternative to custom displays, especially for smaller orders
- No Minimum quantity on floor display
- Lightweight, easy to assemble
- Can easily be customized by printing & lamination

BASE
Board: C Flute
TRAY
Board: C Flute
HEADER
Board: C Flute

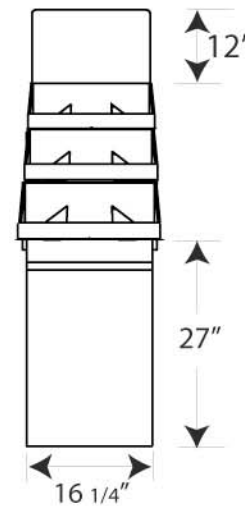
Print Options:

Ask about various print options available to fit any budget and brand requirements.

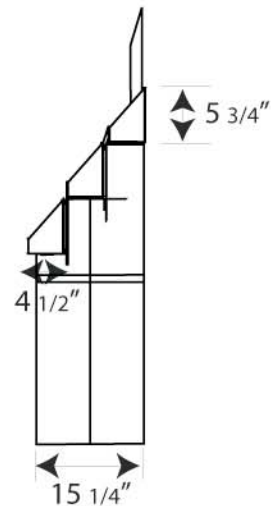
- Digital Print
- Flood coat options
- 1 and 2 colour flexo graphic print
- Screen printing
- Spot Label application
- High end Litho laminate sheets



HEADER



FRONT VIEW



SIDE VIEW

Stock POP Display

Floor Display: Four-Cell

Advantages of Stock POP Displays:

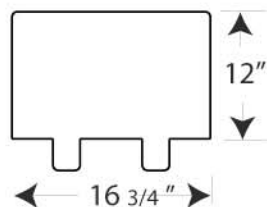
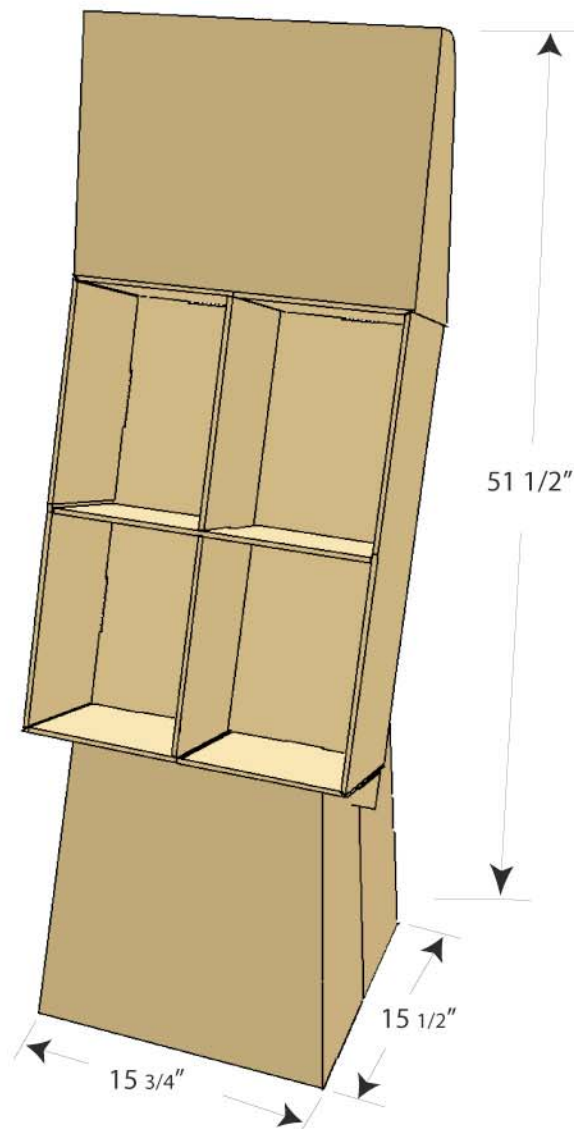
- Economical alternative to custom displays, especially for smaller orders
- No Minimum quantity on floor display
- Lightweight, easy to assemble
- Can easily be customized by printing & lamination

BASE
Board: B Flute
SHELL
Board: B Flute
DIVIDER
Board: B Flute
HEADER
Board: E Flute

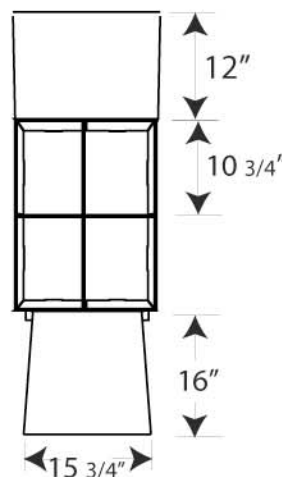
Print Options:

Ask about various print options available to fit any budget and brand requirements.

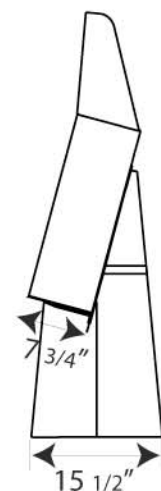
- Digital Print
- Flood coat options
- 1 and 2 colour flexo graphic print
- Screen printing
- Spot Label application
- High end Litholaminate sheets



HEADER



FRONT VIEW



SIDE VIEW

Stock POP Display

Floor Display: Shelf

Advantages of Stock POP Displays:

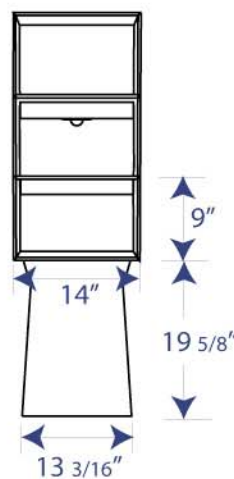
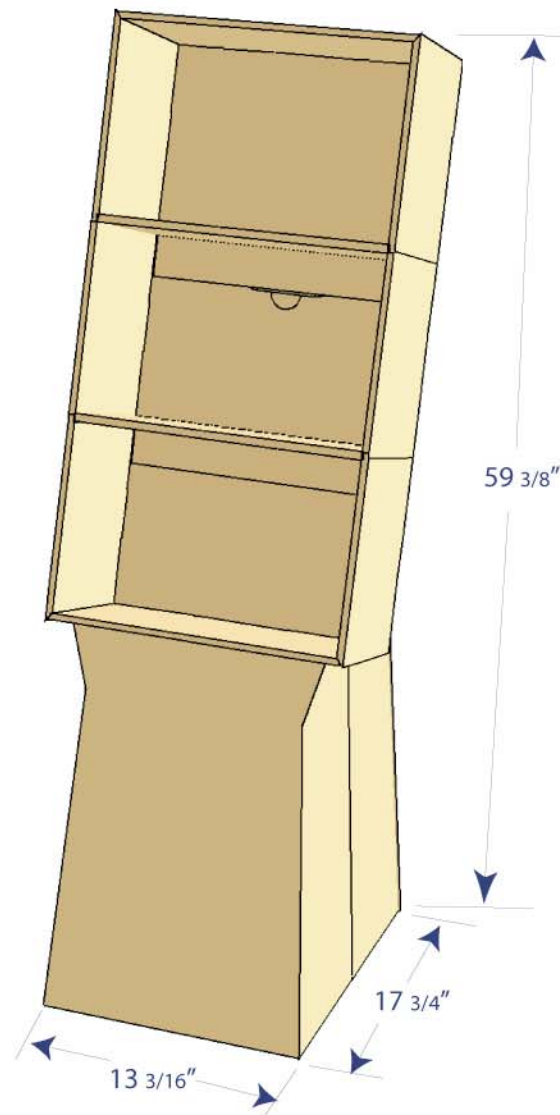
- Economical alternative to custom displays, especially for smaller orders
- No Minimum quantity on floor display
- Lightweight, easy to assemble
- Can easily be customized by printing & lamination

BASE
Board: B Flute
SHELL
Board: B Flute
SHELF
Board: B Flute
PAD
Board: Kraft Double Wall (no print required)

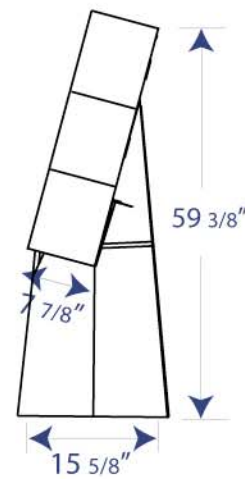
Print Options:

Ask about various print options available to fit any budget and brand requirements.

- Digital Print
- Flood coat options
- 1 and 2 colour flexo graphic print
- Screen printing
- Spot Label application
- High end Litho laminate sheets



FRONT VIEW



SIDE VIEW

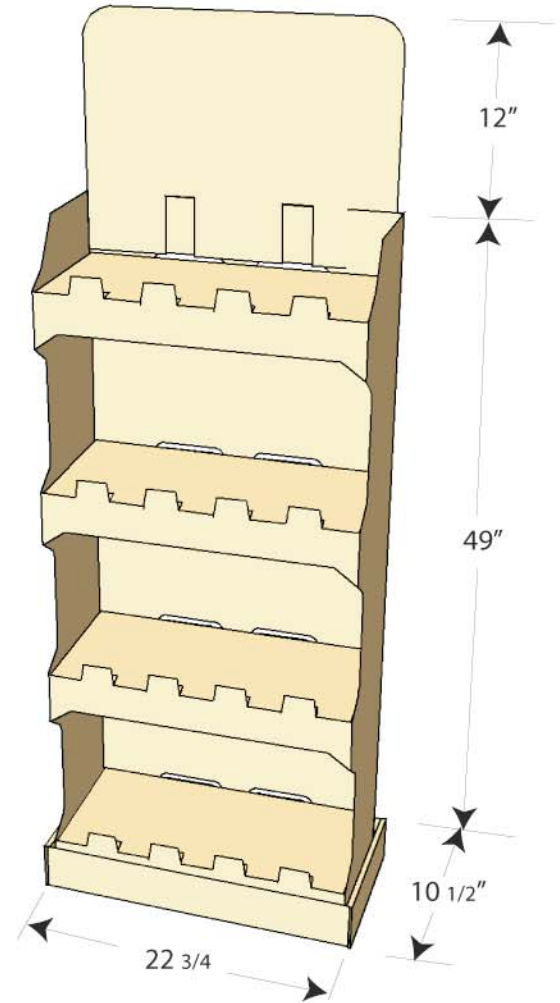
Stock POP Display

Floor Display: Weekender

Advantages of Stock POP Displays:

- Economical alternative to custom displays, especially for smaller orders
- No Minimum quantity on floor display
- Lightweight, easy to assemble
- Can easily be customized by printing & lamination

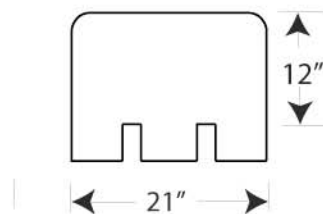
SHELL
Board: Double Wall
TRAY
Board: C Flute
HEADER
Board: B Flute



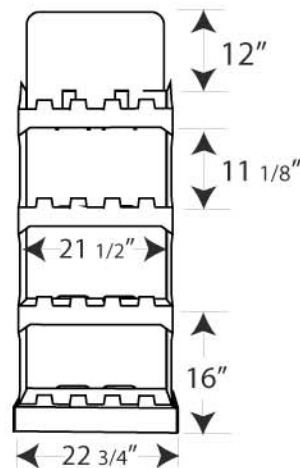
Print Options:

Ask about various print options available to fit any budget and brand requirements.

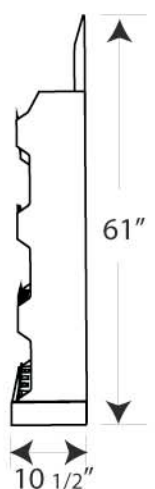
- Digital Print
- Flood coat options
- 1 and 2 colour flexo graphic print
- Screen printing
- Spot Label application
- High end Litho laminate sheets



HEADER



FRONT VIEW



SIDE VIEW

Stock POP Display

Floor Display: Dump Bin

Advantages of Stock POP Displays:

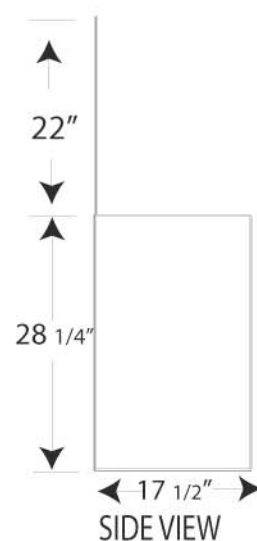
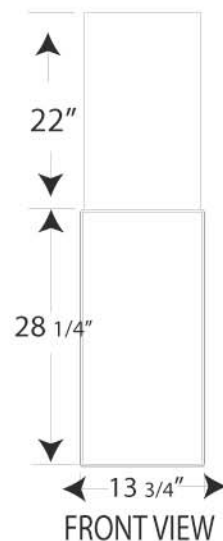
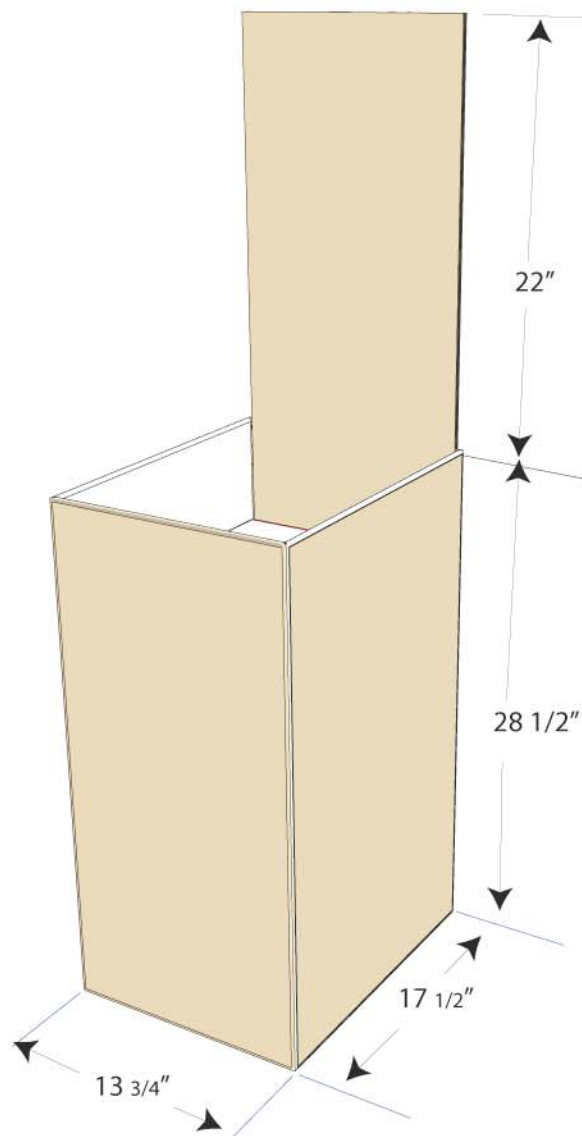
- Economical alternative to custom displays, especially for smaller orders
- No Minimum quantity on floor display
- Lightweight, easy to assemble
- Can easily be customized by printing & lamination

BASE
Board: C Flute
INSERT
Board: C Flute
DIVIDER
Board: Double Wall
HEADER
Board: B Flute

Print Options:

Ask about various print options available to fit any budget and brand requirements.

- Digital Print
- Flood coat options
- 1 and 2 colour flexo graphic print
- Screen printing
- Spot Label application
- High end Litho laminate sheets



Stock POP Display

Floor Display: Twelve-Cell

Advantages of Stock POP Displays:

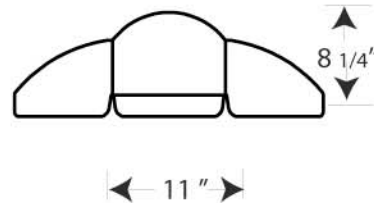
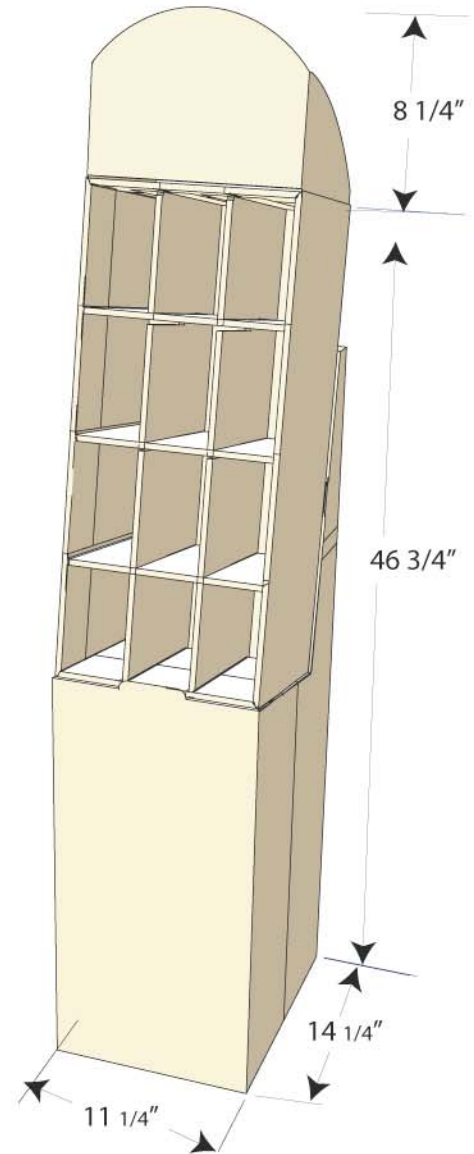
- Economical alternative to custom displays, especially for smaller orders
- No Minimum quantity on floor display
- Lightweight, easy to assemble
- Can easily be customized by printing & lamination

BASE
Board: B Flute
SHELL
Board: B Flute
DIVIDER #1
Board: B Flute
DIVIDER #2
Board: B Flute
HEADER
Board: B Flute

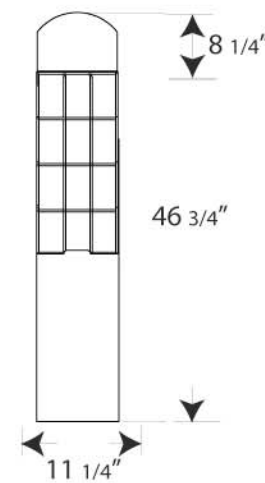
Print Options:

Ask about various print options available to fit any budget and brand requirements.

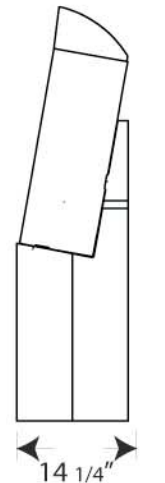
- Digital Print
- Flood coat options
- 1 and 2 colour flexo graphic print
- Screen printing
- Spot Label application
- High end Litholaminate sheets



HEADER



FRONT VIEW



SIDE VIEW