

Stock POP Display

Counter Display: Style #1

Advantages of Stock POP Displays:

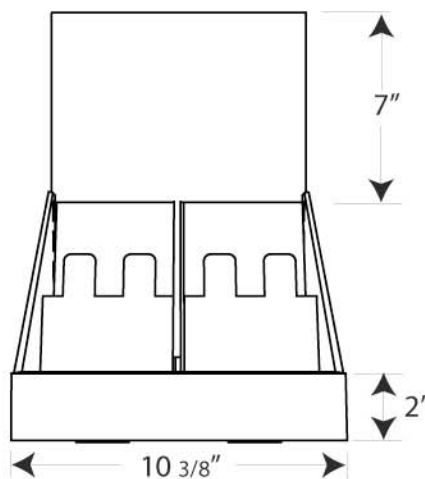
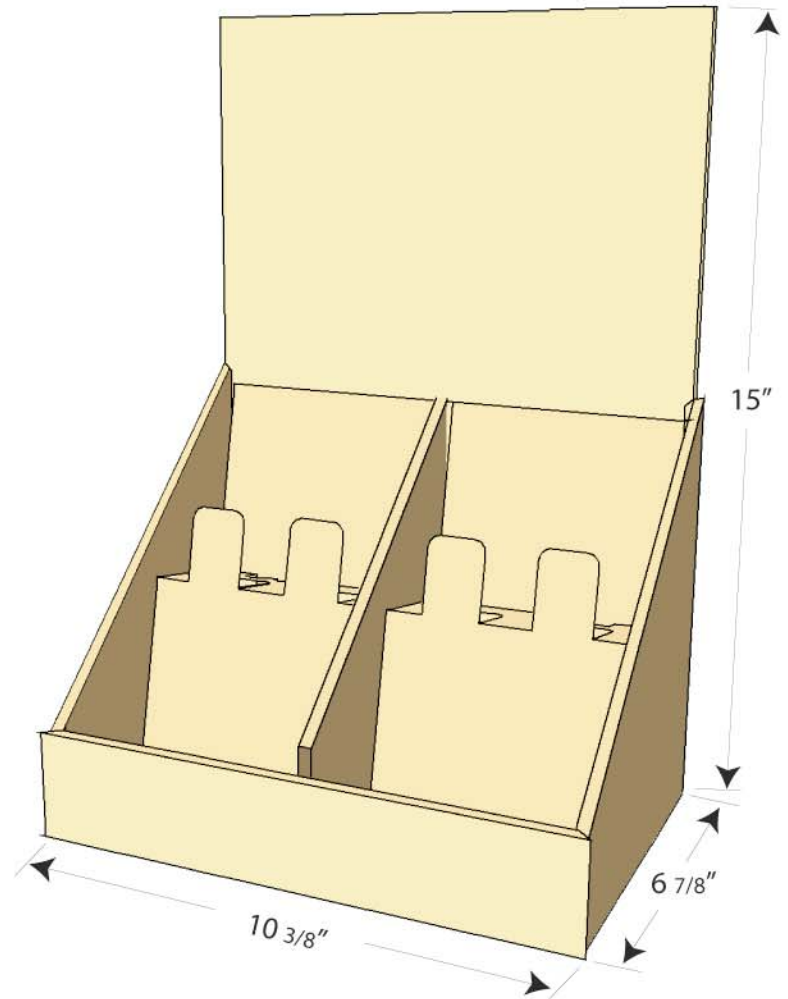
- Economical alternative to custom displays, especially for smaller orders
- No Minimum quantity on floor display
- Lightweight, easy to assemble
- Can easily be customized by printing & lamination

COUNTER
Board: B Flute
INSERT
Board: B Flute

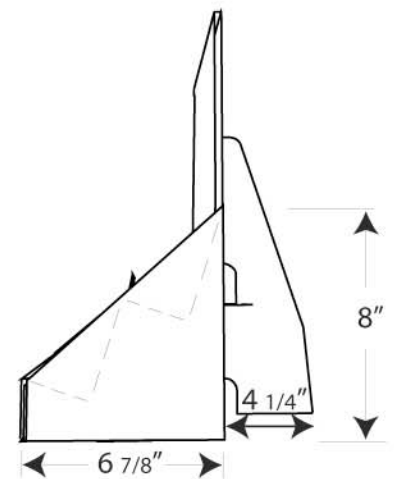
Print Options:

Ask about various print options available to fit any budget and brand requirements.

- Digital Print
- Flood coat options
- 1 and 2 colour flexo graphic print
- Screen printing
- Spot Label application
- High end Litho laminate sheets



FRONT VIEW



SIDE VIEW

Stock POP Display

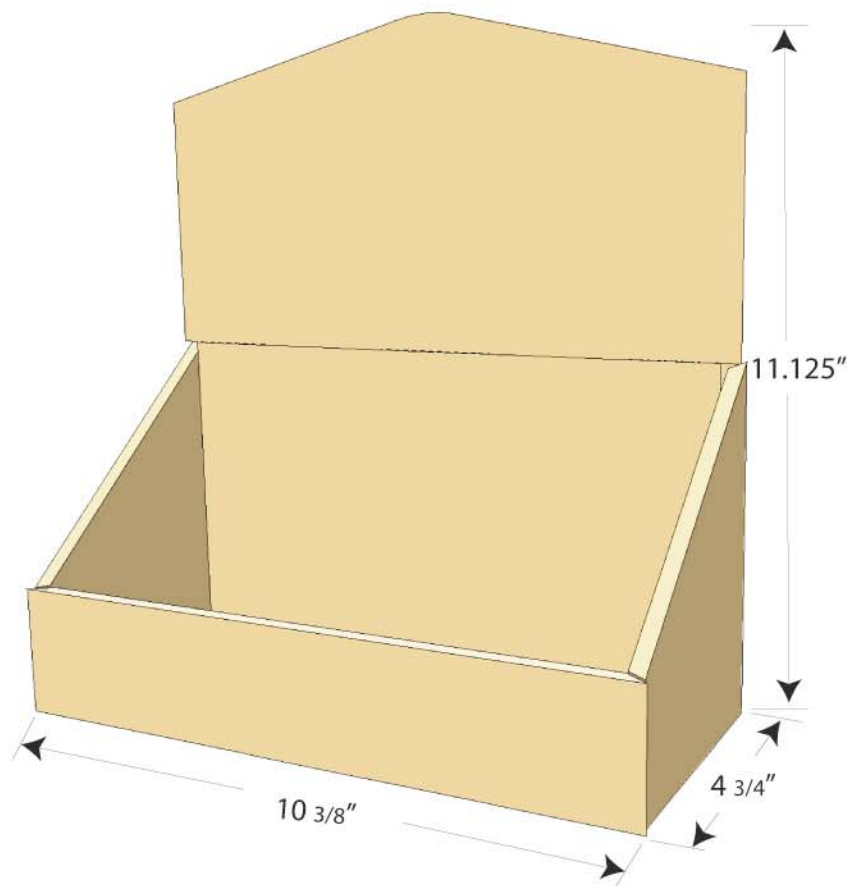
Counter Display: Style #2

Advantages of Stock POP Displays:

- Economical alternative to custom displays, especially for smaller orders
- No Minimum quantity on floor display
- Lightweight, easy to assemble
- Can easily be customized by printing & lamination

COUNTER

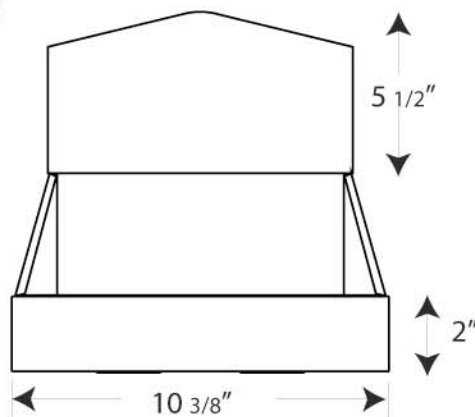
Board: B Flute



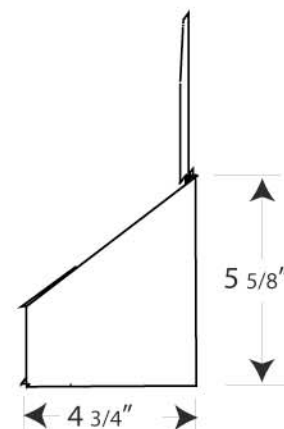
Print Options:

Ask about various print options available to fit any budget and brand requirements.

- Digital Print
- Flood coat options
- 1 and 2 colour flexo graphic print
- Screen printing
- Spot Label application
- High end Litho laminate sheets



FRONT VIEW



SIDE VIEW

Stock POP Display

Counter Display: Style #3

Advantages of Stock POP Displays:

- Economical alternative to custom displays, especially for smaller orders
- No Minimum quantity on floor display
- Lightweight, easy to assemble
- Can easily be customized by printing & lamination

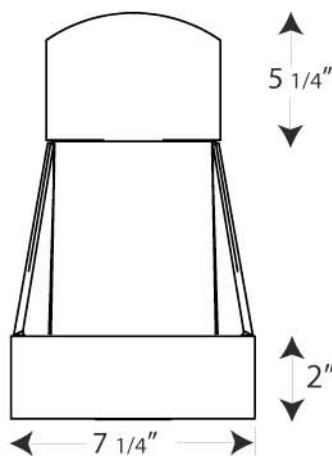
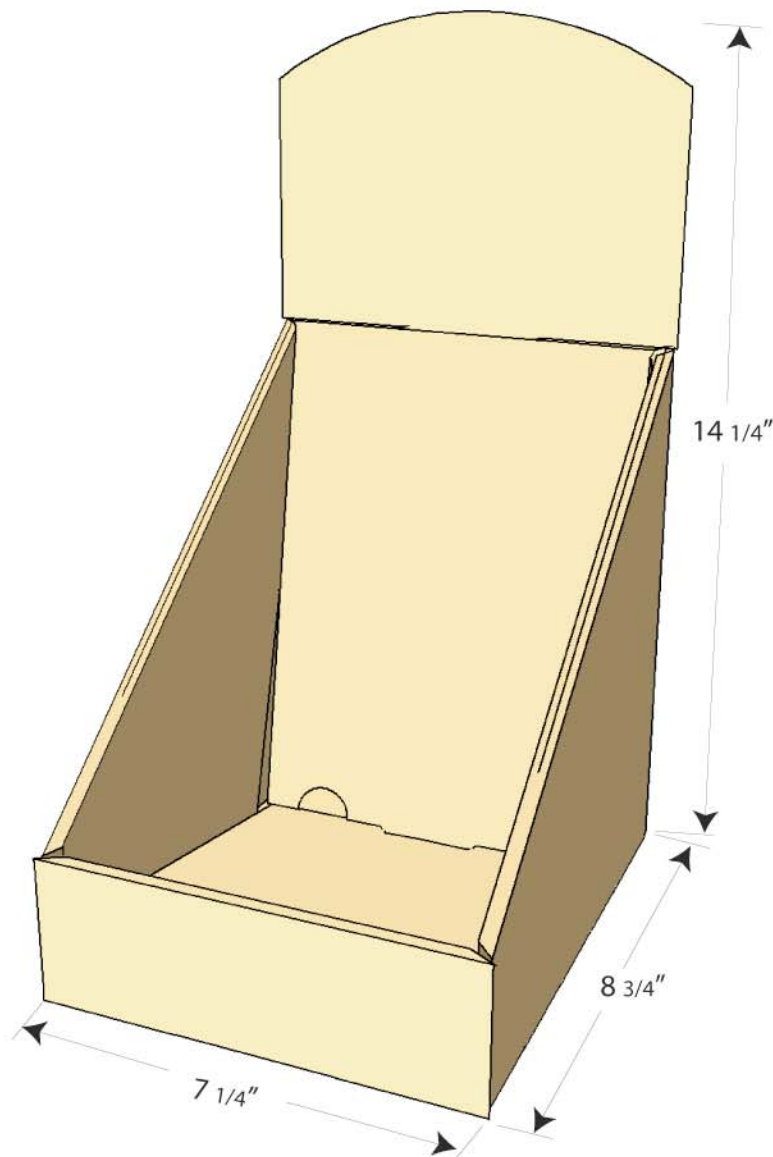
COUNTER

Board: B Flute

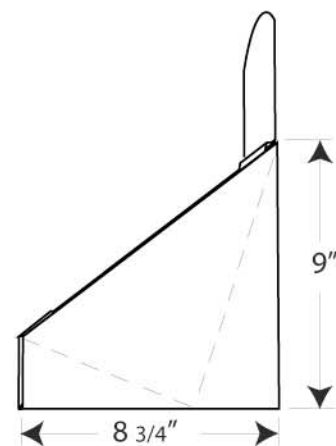
Print Options:

Ask about various print options available to fit any budget and brand requirements.

- Digital Print
- Flood coat options
- 1 and 2 colour flexo graphic print
- Screen printing
- Spot Label application
- High end Litho laminate sheets



FRONT VIEW



SIDE VIEW

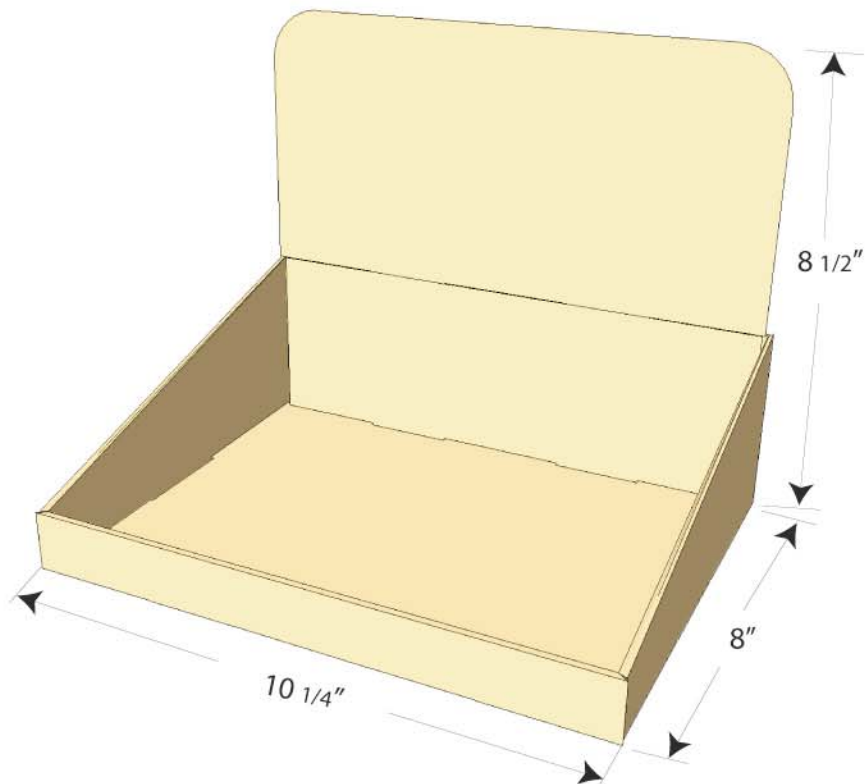
Stock POP Display

Counter Display: Style #4

Advantages of Stock POP Displays:

- Economical alternative to custom displays, especially for smaller orders
- No Minimum quantity on floor display
- Lightweight, easy to assemble
- Can easily be customized by printing & lamination

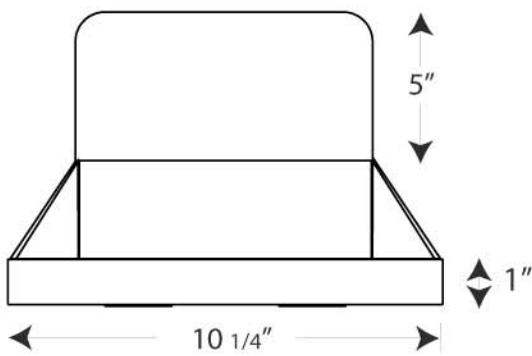
COUNTER
Board: E Flute



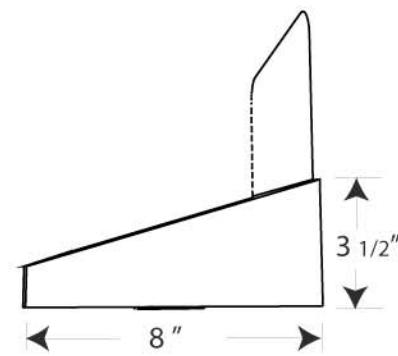
Print Options:

Ask about various print options available to fit any budget and brand requirements.

- Digital Print
- Flood coat options
- 1 and 2 colour flexo graphic print
- Screen printing
- Spot Label application
- High end Litho laminate sheets



FRONT VIEW



SIDE VIEW